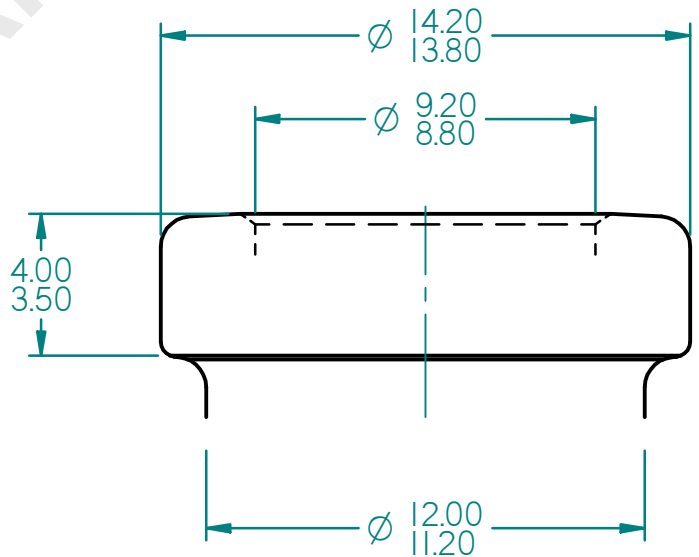
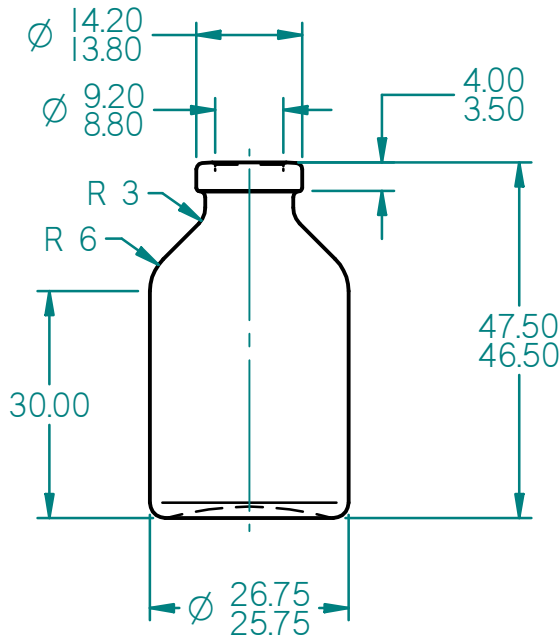


RELEASE

DATE:

COMPANY:



FINISH : 14 mm STD.

Protective note ISO 16016 observed

GENERAL TOLERANCES DIN 6129-1 (DIMENSIONS WITHOUT TOLERANCES ARE FOR REFERENCE ONLY)	FINISH: 14 mm STD.		O'FLOW CAPACITY: 12.00 - 13.50 ml		ARTICLE NO.:					
	FINISH DWG: NA		WEIGHT: 18 g Approx		5151200100					
	FINISH MOLD NO: 905		TYPE OF GLASS: I COLOUR: FLINT							
REV.	CHANGE	DATE	NAME	TITLE: 10 mL METRO - B		MOLD NO.:	DRAWING NO.:	REVISION	SHEET	FORMAT
						021	B 1200	0	1 OF 1	A4
				GERRESHEIMER NEUTRAL GLASS & ALLIED INDS. PVT. LTD. MUMBAI / KOSAMBA		FILE: 10 mL METRO B.dft				